



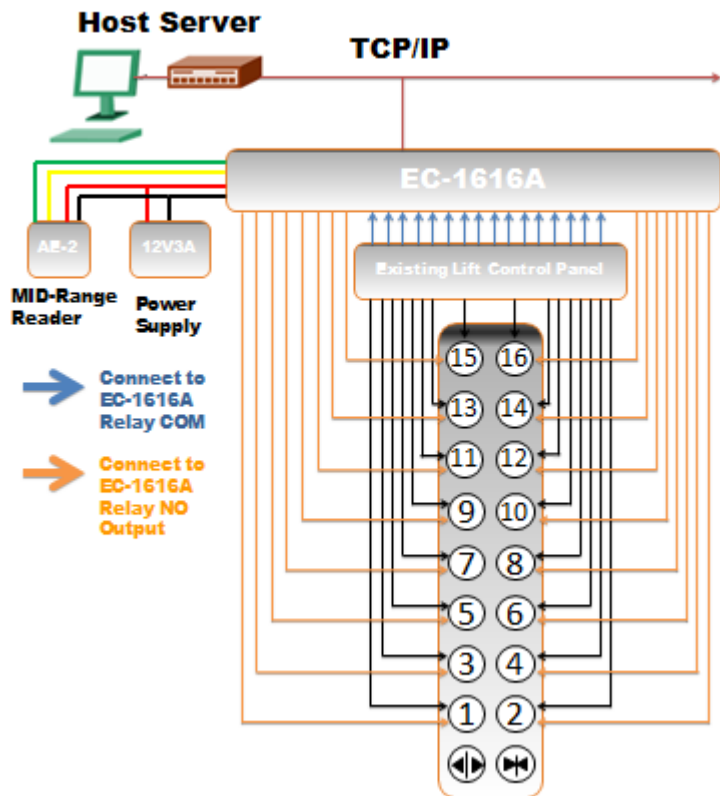
Hands Free Access Control Elevator System Solution

ShenZhen JUTAI JTEC-16 series elevator control board is main for elevator hierarchical control and personnel access control The user must hold the relative card and card ID be read automatically by JTAE-26 dual frequency hands free reader, and people can go to the assigned floor after elevator judge the card is valid.

Support up to 26000 cards and 100000 records. Additional extension control board to support 64 floors in max.The operator can set 64 groups different time zone and specify which floor and when the user can access.

Users get into lift and not need to take out of the card. The card ID will be read automatically and upload to the elevator control board. It is very easy and very advanced lift control solution. After this, User press the floor button which authorized for his access. And work with JUTAI access control software, Building manager will be able to control, monitor and generate access log daily, monthly and yearly report from PC.

Safety RFID Lift Connect Management



Main Technology Parameter

- Identify type: IC card/2.45G hands free card
Access type: Card/Card+Pin;Pin/Dual Card Identify/Card+User card
Power Supply: DC10.8-14 V -> DC12V
Work current: 500mA-> not including card reader
Extension board: 3 additional for 64 floor management in max
Communication distance: 1200m(RS-485 networking way)
Transport Speed: 19200 baud rage -> 19200 8,1,n
Data saved: 10 Years10 years if power off
Drive current: <7A -> Relay Dry contract (NO/NC can be setting by software)
Relative Humidity: 10-90%
Time zone : -> 64 groups
Valid date: -> 1day-100 years
Standalone work mode: supporting
Card capacity: 26000
Record capacity: 100000
Networking: RS485 and TCP/IP
Transmit mode: Real time
Work Temp: -25°C-75°C

Configuration List

Table with 5 columns: Model, Name, Qty, Details, Remark. It lists components like JTEC-16, JTAE-26, JTID-52/62, LRS-35-12, and JTEB-1.

Installation step for reference

Connect the JTEC-16 lift control board to software by TCP/IP, no need additional convertor, and then setting the IP address of the lift controller. The controller IP address must in same network segment with your computer. Connect to JEA E-26 dual frequency hands free access control reader by Wigand26/34 interface.