

Dual Channel Magnetic Loop Detector

Description

Magnetic Loop detectors in recent years have become a popular tool having innumerable applications in policing, right from surveillance operations to traffic control. Automation of gates and doors has become a popular usage of the loop detector.

The digital technology of the loop detector enables the equipment to sense a change in the inductance of the loop as soon as it detects the metal object in its path. The inductive loop which detects the object is made of insulated electrical wire (32/020; 32 Strand, 2mm diameter) and is arranged either as a square or rectangle shape.

The loop consists of several loops of wire and consideration should be giving to the loop sensitivity when installing on different surfaces. Setting the correct sensitivity allows the loop to operate with maximum detection (16 levels via a trimpot). When detection occurs, the detector energises 2 relays for the output (each can be configured individually). This energising of the relay can be configured into different modes, by selecting the respective dip switch.

The LD-200 Enhanced Vehicle detector is also provided with an integral fault relay, which will provide an output in the event of a loop fault condition.

Features

Compact Size: the compact and well engineered housing
Combines all of the industry requirements regarding Features and functionality and allows this detector to be Incorporated into any or existing traffic detection system.

Diagnostic Capabilities: Comprehensive diagnostics Capabilities allow for accurate diagnosis of loop and Installation problems.

Selectable Presence Time: The output of the presence Relay can be selected to limit a detect output to a fixed time(time>30 minutes)while a vehicle remains on the loop
Loop Frequency Indication: Interference between adjacent loop/detectors can be determined by an integral indication, and eliminated by changing the frequency setting.

Direction Detection:

(If vehicle moves from CH1 to CH2, then CH1 relay output; if vehicle moves from CH2 to CH1, then CH2 relay output).

Sensitivity Selection:

Sensitivity and frequency of the loop can be adjusted by 7-way dip switch and 10-way dip switch setting.



Applications

- Traffic Control Application
- Vehicle Counting
- Toll Systems
- Traffic Analysis
- Parking Control Application



LD-200 Series Dual Channel Magnetic Loop Detector

Technical Details:

Faceplate LED indicators

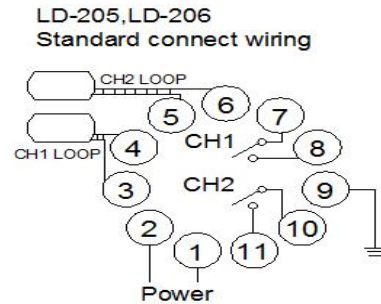
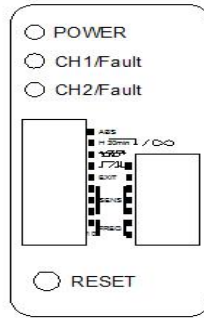
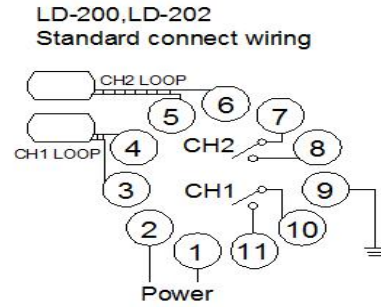
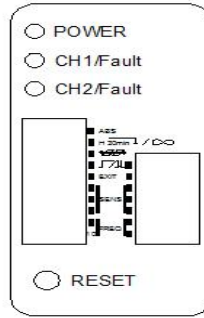
Red –Power

Green –Loop/Fault:

1. Undetect -off
2. Detect – on steady
3. Fault – flashing

Faceplate Setting:

1. Sensitivity
2. Filter
3. ABS
4. Entry/Exit
5. Presence Time
6. Frequency



Specifications:

Self-turning range: 20-2000 μ H

Sensitivity: 8 way selectable
Highest 0.015% DL/L
Lowest 0.8% DL/L

Frequency: Four step switch
selectable 20-80KHz

Power Requirements: 110-240VAC (48 to 62Hz)
12-24VADC(48 to 62Hz)

Operation Temp: -40 $^{\circ}$ C to +70 $^{\circ}$ C
(-111 $^{\circ}$ F to +158 $^{\circ}$ F)

Fault Output: Blinks slowly: It maybe because
the loop is short circuit or the no:
of turns is not enough.

Blinks faster: It maybe because the loop is open or the no: of turns is too many.

Modes of operation:

The LD-200 series detector may be configured for any one of the following modes:

Presence Mode

AB Logic Presence Mode(Barrier Operation)

Pulse Mode

AB Logic Pulse Mode(Counting Logic)

Ordering Information:

LD-200 single channel, boxed, 1 type 11pin connects 100-240VAC(EU standard)

LD-202 single channel, boxed, 1 type 11pin connects 12-24VADC(EU standard)

LD-205 single channel, boxed, 2 type 11pin connects 100-240VAC(USA standard)

LD-206 single channel, boxed, 2 type 11pin connects 12-24VADC(USA standard)

Shenzhen Jutai Comm Co.,Ltd

Mingjinhai Industry Park Tangtou Road,shiyang Town Bao'an District Shenzhen,Guangdong Province China.

Web:www.jutairfid.com Email:sales@jutairfid.com TEL:(86)755-29573855 FAX:(86)755-29573955